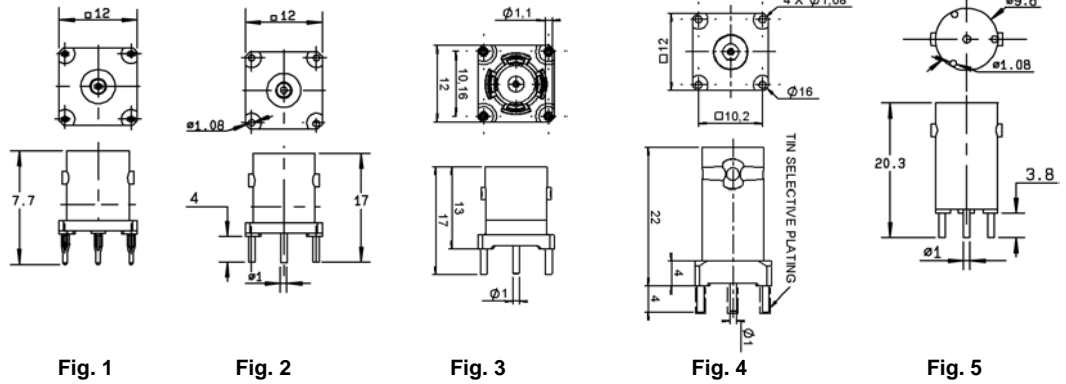
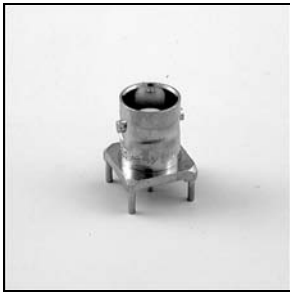
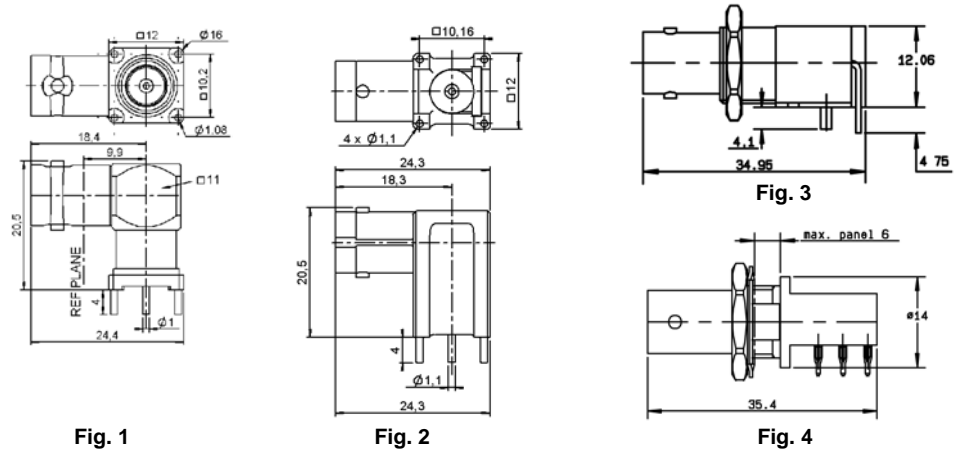


STRAIGHT PCB FEMALE RECEPTACLES



Part number	Fig.	Captive center contact	Panel drilling	Assembly instructions	Note
R141 416 000*	1	yes	P12	M13	Press-fit pins
R141 426 000	2				
R141 426 161	3				Die casted body / commercial version
R141 426 165	4				Tin lead legs / commercial version
R141 508 200*	5			P21	

RIGHT ANGLE PCB FEMALE RECEPTACLES



Part number	Fig.	Captive center contact	Panel drilling	Assembly instructions	Finish	Note
R141 665 000	1	yes	P09		Nickel	
R141 665 030*	2					
R141 665 161					Die cast body / commercial version	
R141 676 423*	3		P14 and P17		Gold	Rear mount + washer / unit packaging
R141 676 433*			Rear mount + 2 insulated washer / unit packaging			
R141 684 130	4	P11 and P20	M12	Nickel	Packaging 10 / press-fit pins	

• Upon request